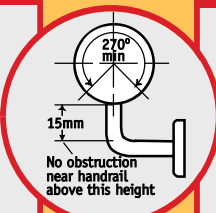
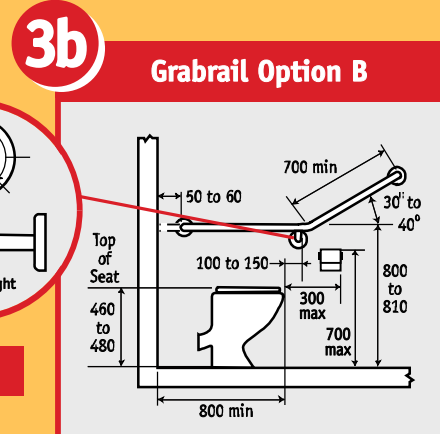
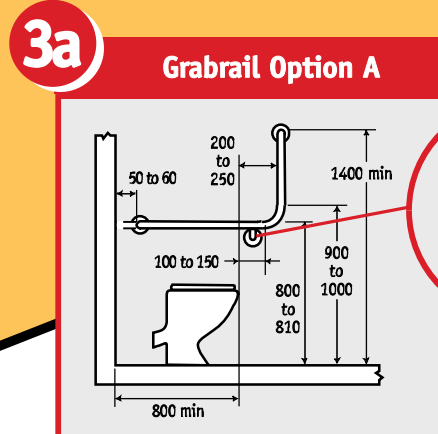
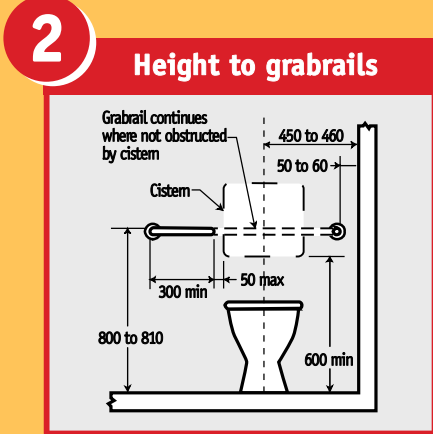
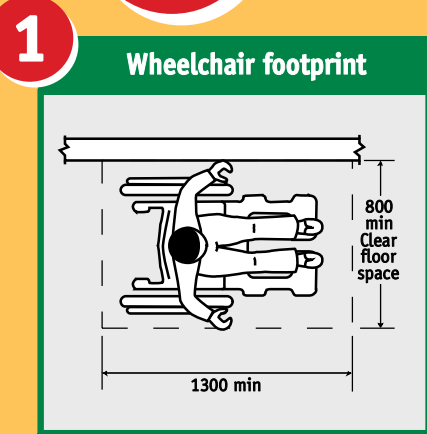
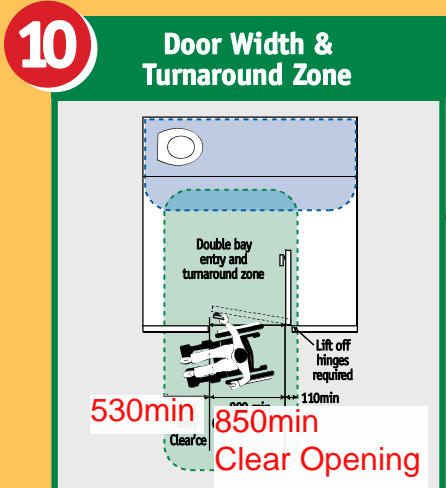


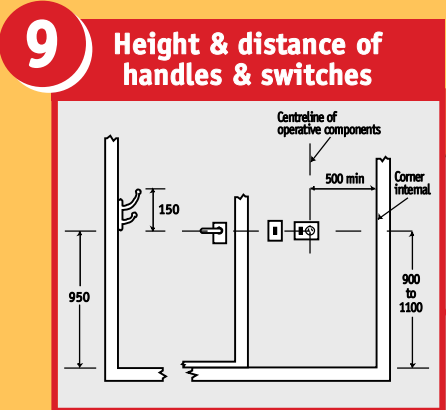
# 10 Steps & Checks to an approved installation



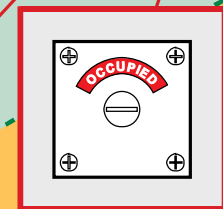
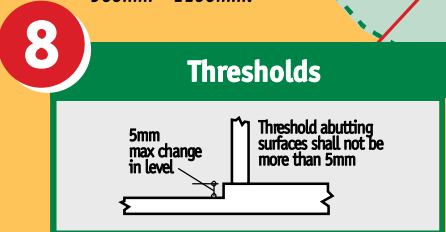
OR



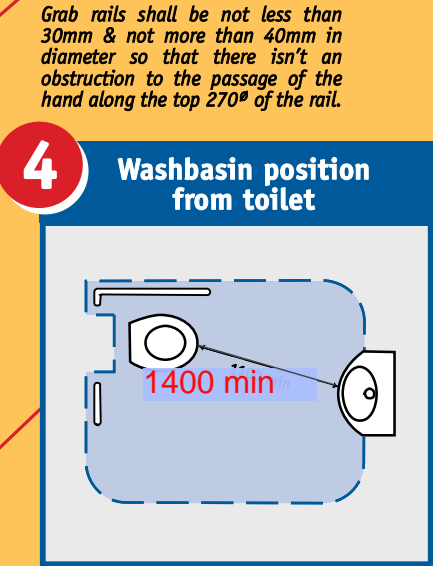
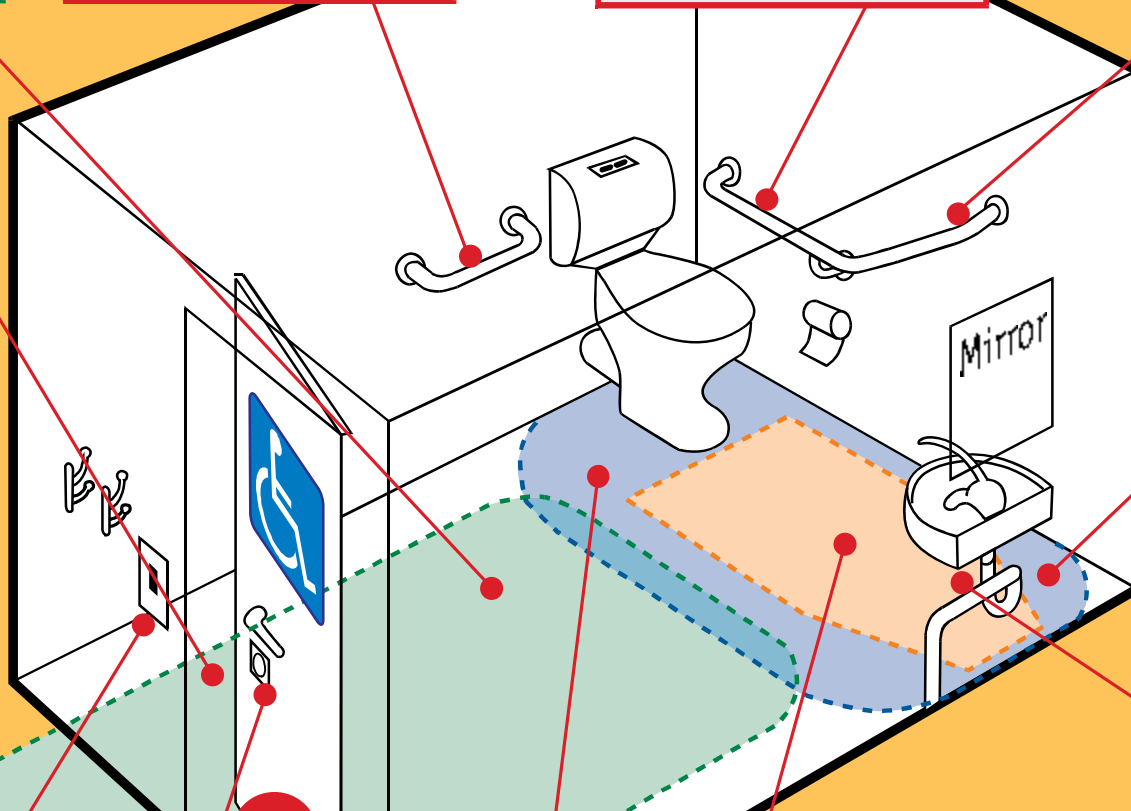
Doors must achieve a clear opening of **850mm** (Note the thickness of the door when open may encroach. **920mm** door recommended) to maintain clear opening.



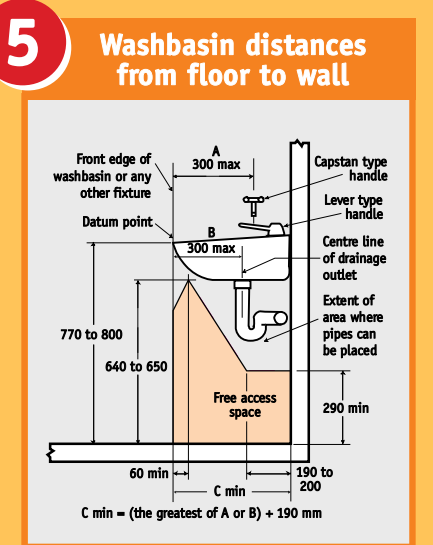
Latch, light switches, hand-dryer, soap dispensers, coat hooks, shelves etc provided at a height between 900mm - 1100mm.



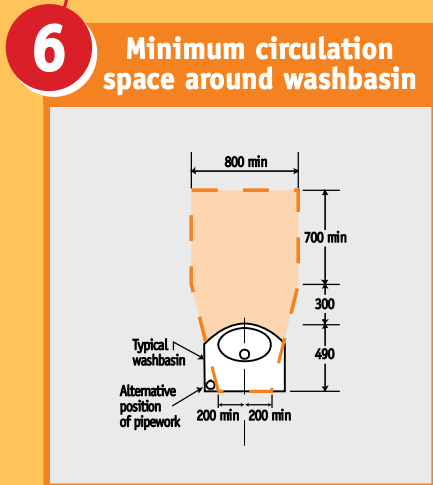
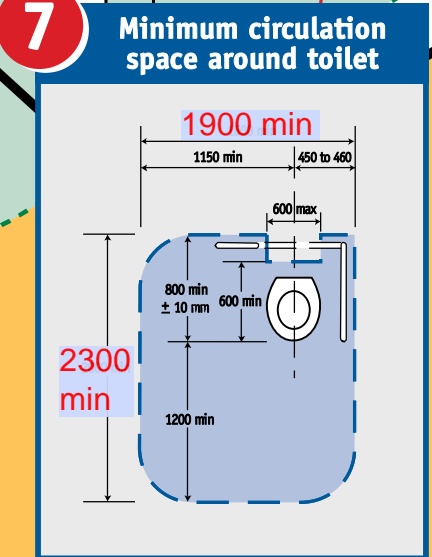
Doors shall be provided with an **IN-USE** indicator and a catch that can be opened from the outside.



If a mirror is provided above the basin, ensure it is placed at a height of not more than 900mm above the floor and extend to 1850mm min. Width of 350mm.



Basins have knee-space underneath. Tap handles, lever or capstan style (+). Note: alternative plumbing pipe waste enters the floor outside the circulation space.



**Tradespeople, take time to check, measure and discuss all key points of the installation before commencing work. If in doubt CHECK and RE-CHECK.**